

Storage Device Information



1. MSI suggests to ask our local service center for a storage device's approval list before your upgrade in order to avoid any compatibility issues.

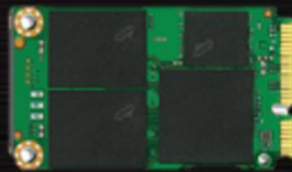
2. For having the maximum performance of the SSD, see the suggested **Stripe Size** shown in the RAID 0 column to do the set up.

3. 2.5 inch vs. mSATA vs. M.2 SSD

RAID 0^[1]
Up to 4 x M.2 SSD
128KB



2.5" SATA



mSATA



M.2 Type 2280

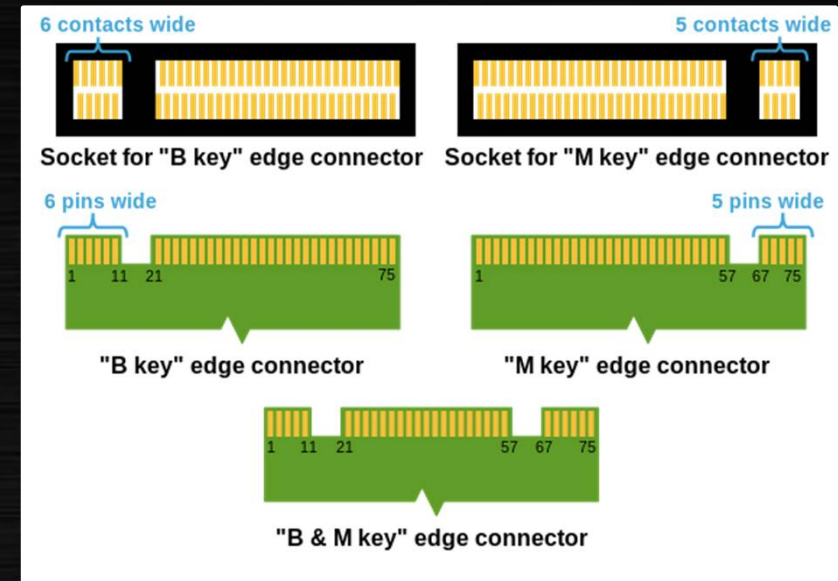
Which M.2 SSD Drive do I need?

1. Connector & Socket:

Make sure you have the right combination of the SSD connector and the socket on your notebook. There are three types of M.2 SSD edge connectors, B Key, M Key, and B+M Key.

- B key edge connector can use on Socket for 'B' Key (aka. Socket 2)
- M key edge connector can use on Socket for 'M' Key (aka. Socket 3)
- B+M Key edge connector can use on both sockets

* To know the supported connector and the socket of your notebook, see the 'M.2 slot(s)' column.

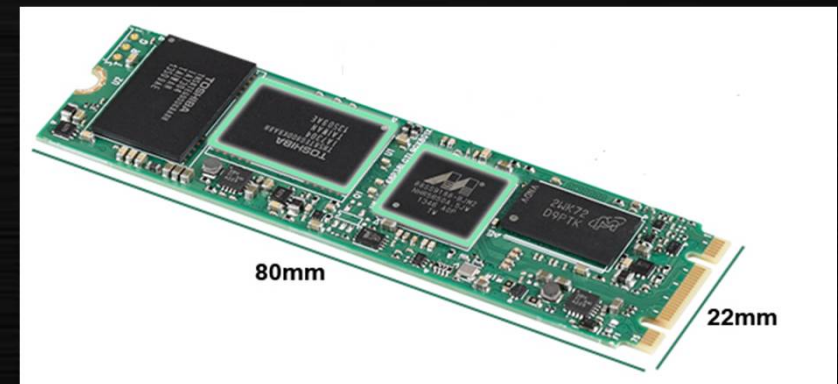


2. Physical size:

M.2 SSD allows for a variety of physical sizes, like 2242, 2260, 2280, and MSI Notebooks supports **Type 2280**.

3. Logical interface:

M.2 drives can connect through either the SATA controller or through the PCI-E bus in either x2 or x4 mode.



Catalogue



1. MSI Gaming Notebooks

- NVIDIA GeForce 900M Series Graphics And Intel HM170/CM236 Chipset
- NVIDIA GeForce 900M Series Graphics
- NVIDIA GeForce 800M Series Graphics
- NVIDIA GeForce 700M Series Graphics
- Gaming Dock

2. MSI Workstation Notebooks

3. MSI Prestige Notebooks



MSI Gaming Notebooks with - NVIDIA GeForce 900M Series Graphics And Intel HM170/CM236 Chipset

Notebook	Graphics/Chipset	M.2 SSD slot(s)	M.2 SSD Interface	2.5" SATA HDD/SSD	ODD	RAID 0 ^{*[1]}
GT80S 6QF GT80S 6QE GT80S 6QD	GTX 980 SLI/CM236 GTX 980M SLI/CM236 GTX 970M SLI/CM236	1 x M.2 Socket 2 for B Key Type 2280 2 x M.2 Socket 3 for M Key Type 2280	1 x SATA3 2 x NVMe PCI-e	1 x SATA3	SATA2	Up to 2 x M.2 NVMe PCI-e SSD 128KB
GT72S 6QF GT72S 6QE GT72S 6QD	GTX 980/CM236 GTX 980M/CM236 GTX 970M/CM236	2 x M.2 Socket 2 for B Key Type 2280 2 x M.2 Socket 3 for M Key Type 2280	2 x SATA3 2 x NVMe PCI-e	1 x SATA3	SATA3	Up to 2 x M.2 SATA SSD 64KB Up to 2 x M.2 NVMe PCI-e SSD 128KB
GT72 6QE GT72 6QD	GTX 980M/HM170 GTX 970M/HM170	2 x M.2 Socket 2 for B Key Type 2280 1 x M.2 Socket 3 for M Key Type 2280	2 x SATA3 1 x NVMe PCI-e	1 x SATA3	SATA3	Up to 2 x M.2 SATA SSD 64KB
GS70 6QE GS70 6QC	GTX 970M/HM170 GTX 960M/HM170	1 x M.2 Socket 3 for M Key Type 2280	1 x SATA3/NVMe PCI-e (Combo) ^{*[2]}	1 x SATA3	X	X
GS60 6QE	GTX 970M/HM170	1 x M.2 Socket 3 for M Key Type 2280	1 x SATA3/NVMe PCI-e (Combo) ^{*[2]}	1 x SATA3	X	X
GS60 6QC	GTX 960M/HM170	1 x M.2 Socket 3 for M Key Type 2280	1 x SATA3/NVMe PCI-e (Combo) ^{*[2]}	1 x SATA3	X	X
GS40 6QE	GTX 970M/HM170	1 x M.2 Socket 3 for M Key Type 2280	1 x SATA3/NVMe PCI-e (Combo) ^{*[2]}	1 x SATA3	X	X

*[1]: For having the maximum performance of the SSD, see the suggested Stripe Size shown in the RAID 0 column to do the set up.

*[2]: A M.2 SSD combo slot supports both M.2 SATA SSD and M.2 NVMe PCI-e SSD.



MSI Gaming Notebooks with - NVIDIA GeForce 900M Series Graphics And Intel HM170/CM236 Chipset

Notebook	Graphics/Chipset	M.2 SSD slot(s)	M.2 SSD Interface	2.5" SATA HDD/SSD	ODD	RAID 0 ^{*[1]}
GE62 6QD GE62 6QC GE62 6QL GE72 6QC GE72 6QD GE72 6QL	GTX 960M/HM170 GTX 960M/HM170 GTX 950M/HM170 GTX 960M/HM170 GTX 960M/HM170 GTX 950M/HM170	1 x M.2 Socket 3 for M Key Type 2280	1 x SATA3/NVMe PCI-e (Combo) ^{*[2]}	1 x SATA3	SATA3	X
GE72 6QF GE62 6QF	GTX 970M/HM170	1 x M.2 Socket 3 for M Key Type 2280	1 x SATA3/NVMe PCI-e (Combo) ^{*[2]}	1 x SATA3	SATA3	X
GP72 6QE GP62 6QE	GTX 950M/HM170	1 x M.2 Socket 3 for M Key Type 2280	1 x SATA3/NVMe PCI-e (Combo) ^{*[2]}	1 x SATA3	SATA3	X

*[1]: For having the maximum performance of the SSD, see the suggested Stripe Size shown in the RAID 0 column to do the set up.

*[2]: A M.2 SSD combo slot supports both M.2 SATA SSD and M.2 NVMe PCI-e SSD.

MSI Gaming Notebooks with - NVIDIA GeForce 900M Series Graphics



Notebook	Graphics/Chipset	mSATA slot(s)	M.2 slot(s)	M.2 Interface	2.5" SATA HDD/SSD	ODD	RAID 0*[1]
GT80 2QE GT80 2QD GT80 2QC	GTX 980M SLI/HM87 GTX 970M SLI/HM87 GTX 965M SLI/HM87	X	4 x M.2 Socket 2 for B Key Type 2280	4 x SATA3	1 x SATA2	SATA2	Up to 4 x M.2 SSD 128KB
GT72 2QE GT72 2QD	GTX 980M/HM87 GTX 970M/HM87	X	4 x M.2 Socket 2 for B Key Type 2280	4 x SATA3	1 x SATA3	SATA2	Up to 4 x M.2 SSD 64KB
GT70 2QD GT60 2QE GT60 2QD	GTX 980M/HM87 GTX 970M/HM87	3 x SATA3 (mSATA to SATA adapter)	X	X	2 x SATA3	SATA2	Up to 3 x mSATA SSD 128KB
GS70 2QE GS70 2QD GS70 2QC	GTX 970M/HM87 GTX 965M/HM87 GTX 960M/HM87	3 x SATA3	X	X	1 x SATA3	X	Up to 3 x mSATA SSD 128KB
GS60 2QE GS60 2QD GS60 2QC	GTX 970M/HM87 GTX 965M/HM87 GTX 960M/HM87	X	2 x M.2 Socket 2 for B Key Type 2280	2 x SATA3	1 x SATA3	X	Up to 2 x M.2 SSD 128KB
GE72 2QF GE62 2QF GE72 2QE GE62 2QE	GTX 970M/HM87 GTX 965M/HM87	X	2 x M.2 Socket 2 for B Key Type 2280 1 x M.2 Socket 3 for M Key Type 2280	3 x SATA3	1 x SATA3	SATA2	Up to 3 x M.2 SSD 128KB
GE72 2QD GE62 2QD	GTX 960M/HM87	X	2 x M.2 Socket 2 for B Key Type 2280 1 x M.2 Socket 3 for M Key Type 2280	3 x SATA3	1 x SATA3	SATA2	Up to 3 x M.2 SSD 128KB
GE72 2QC GE62 2QC GE72 2QL GE62 2QL	GTX 960M/HM87 GTX 950M/HM87	X	1 x M.2 Socket 2 for B Key Type 2280	1 x SATA3	1 x SATA3	SATA2	X

*[1]: For having the maximum performance of the SSD, see the suggested Stripe Size shown in the RAID 0 column to do the set up.

MSI Gaming Notebooks with - NVIDIA GeForce 900M Series Graphics



Notebook	Graphics/Chipset	mSATA slot(s)	M.2 slot(s)	M.2 Interface	2.5" SATA HDD/SSD	ODD	RAID 0 ^{*[1]}
GE70 2QE GE60 2QE GE70 2QD GE60 2QD	GTX 960M/HM86 GTX 950M/HM86	1 x SATA3	X	X	1 x SATA3	SATA2	X
GP72 2QE GP62 2QE GP72 2QD GP62 2QD	GTX 950M/HM86 GTX 940M/HM86	X	1 x M.2 Socket 2 for B Key Type 2280	1 x SATA3	1 x SATA3	SATA2	X
GP70 2QF GP60 2QF GP70 2QE GP60 2QE	GTX 950M/HM87 GT 940M/HM86	1 x SATA3	X	X	1 x SATA3	SATA2	X

*[1]: For having the maximum performance of the SSD, see the suggested Stripe Size shown in the RAID 0 column to do the set up.

MSI Gaming Notebooks with - NVIDIA GeForce 800M Series Graphics



Notebook	Graphics/Chipset	mSATA slot(s)	M.2 slot(s)	M.2 Interface	2.5" SATA HDD/SSD	ODD	RAID 0 ^{*[1]}
GT72 2PE GT72 2PC	GTX 880M/HM87 GTX 870M/HM87	X	4 x M.2 Socket 2 for B Key Type 2280	4 x SATA3	1 x SATA2	SATA2	Up to 4 x M.2 SSD 128KB
GT70 2PE GT60 2PE GT70 2PC GT60 2PC	GTX 880M/HM87 GTX 870M/HM87	3 x SATA3 (mSATA to SATA adapter) X	X X	X X	1 x SATA3 2 x SATA3	SATA2	Up to 3 x mSATA SSD 128KB
GS70 2PE GS70 2PC	GTX 870M/HM87 GTX 860M/HM87	3 x SATA3	X	X	1 x SATA3	X	Up to 3 x mSATA SSD 128KB
GS60 2PE GS60 2PC	GTX 870M/HM87 GTX 860M/HM87	X	2 x M.2 Socket 2 for B Key Type 2280	2 x SATA3	1 x SATA3	X	Up to 2 x M.2 SSD 128KB
GS60 2PL GS60 2PM	GTX 850M/HM86 840M /HM86	X	1 x M.2 Socket 2 for B Key Type 2280	1 x SATA3	1 x SATA3	X	X
GE70 2PE GE60 2PF GE60 2PE	GTX 860M/HM87	2 x SATA3	X	X	1 x SATA3	SATA2	Up to 2 x mSATA SSD 128KB
GE70 2PC GE60 2PC GE60 2PG	GTX 850M/HM86	1 x SATA3	X	X	1 x SATA3	SATA2	X
GE70 2PL GE60 2PL	GTX 850M/HM86	1 x SATA3	X	X	1 x SATA3	SATA2	X
GE40 2PC	GTX 850M/HM87	2 x SATA3 (mSATA to SATA adapter) X	X X	X X	1 x SATA2 In ODD slot 1 x SATA3	X SATA2 ^{*[2]}	Up to 2 x mSATA SSD 128KB
GP70 2PE GP60 2PE	840M/HM86	1 x SATA3	X	X	1 x SATA3	SATA2	X

*[1]: For having the maximum performance of the SSD, see the suggested Stripe Size shown in the RAID 0 column to do the set up.

*[2]: ODD presence is optional; A multi-bay for the extra 2.5" HDD, SSD or mSATA to SATA adapter is located in ODD slot when there is no ODD.



MSI Gaming Notebooks with - NVIDIA GeForce 700M Series Graphics

Notebook	Graphics/Chipset	mSATA slot(s)	M.2 slot(s)	M.2 Interface	2.5" SATA HDD/SSD	ODD	RAID 0 ^{*[1]}
GT70 Dragon Edition 2 GT70 Dragon Edition 2 Extreme GT70 2OD GT60 2OD GT70 2OC GT60 2OC	GTX 780M/HM87 GTX 770M/HM87	3 x SATA3 (mSATA to SATA adapter) X	X X	X X	1 x SATA2 2 x SATA3	SATA2	Up to 3 x mSATA SSD 128KB
GS70 Stealth	GTX 765M/HM87	2 x SATA3	X	X	1 x SATA3	X	Up to 2 x mSATA SSD 128KB
GE70 2OE GE60 2OE	GTX 765M/HM87	2 x SATA3	X	X	1 x SATA3	SATA2	Up to 2 x mSATA SSD 128KB
GE70 2OD GE60 2OD GE70 2OC GE60 2OC	GTX 760M/HM86 GT 750M/HM86	1 x SATA3	X	X	1 x SATA3	SATA2	X
GE40 2OC	GTX 760M/HM87	2 x SATA3 (mSATA to SATA adapter) X	X X	X X	1 x SATA2 In ODD slot 1 x SATA3	X SATA2 ^{*[2]}	Up to 2 x mSATA SSD 128KB
GE40 2OL	GT 750M/HM86	1 x SATA3	X	X	1 x SATA3	SATA2	X
GP70 GP60	GT 740M/HM86	X	X	X	1 x SATA3	SATA2	X

*[1]: For having the maximum performance of the SSD, see the suggested Stripe Size shown in the RAID 0 column to do the set up.

*[2]: ODD presence is optional; A multi-bay for the extra 2.5" HDD, SSD or mSATA to SATA adapter is located in ODD slot when there is no ODD.



MSI Gaming Notebooks with - Gaming Dock

Notebook	Graphics/Chipset	mSATA slot(s)	M.2 slot(s)	M.2 Interface	2.5" SATA HDD/SSD	ODD	RAID 0 ^{*[1]}
GS30 2M	Intel Iris Pro Graphics 5200/ HM87	X	2 x M.2 Socket 2 for B Key Type 2280	2 x SATA3	X	X	Up to 2 x M.2 SSD 128KB
GS30 2M Gaming Dock	compatible PCIE x 16 (Gen3) graphics card ^{*[2]}	X	X	X	1 x SATA3 3.5" HDD ^{*[3]}	X	X

*[1]: For having the maximum performance of the SSD, see the suggested Stripe Size shown in the RAID 0 column to do the set up.

*[2]: MSI suggest to use our approval graphics card to avoid any possible compatibility issue.

*[3]: An extra 2.5 inches to 3.5 inches Bracket Mount Adapter will be needed if you're using the 2.5 inches HDD.



MSI Workstation Notebooks with - Intel HM170/CM236 Chipset

Notebook	Graphics/Chipset	M.2 SSD slot(s)	M.2 SSD Interface	2.5" SATA HDD/SSD	ODD	RAID 0 ^{*[1]}
WS60 6QI	Quadro M1000M	1 x NVMe M.2 SSD by (PCIe Gen3 X4 / SATA-SSD) Combo for M Key Type 2280	1x SATA3/PCIE Combo	1 x SATA3	X	X
WT72 6QK	Quadro M3000M	2 x M.2 NVMe (PCI-e Gen3 x4) SSD for M Key Type 2280 (Optional)	2 x NVMe PCI-e	1 x SATA3	SATA3	2 x M.2 NVMe (PCI-e Gen3 x4) SSD in Raid 0 (optional) 128KB
		4 x M.2 SATA SSD for B Key Type 2280 (Optional)	4 x SATA3			4 x M.2 SATA SSD in Raid 0/5 (optional) 128KB

*[1]: For having the maximum performance of the SSD, see the suggested Stripe Size shown in the RAID 0 column to do the set up.

*[2]: Notebook with Intel CM236 chipset support 4 x M.2 SATA SSD when using the designated daughter board.



MSI Workstation Notebooks

Notebook	Graphics/Chipset	mSATA slot(s)	M.2 slot(s)	M.2 Interface	2.5" SATA HDD/SSD	ODD	RAID 0 ^{*[1]}
WT72 2OL WT72 2OK WT72 2OM	Quadro K4100M/HM87 Quadro K3100M/HM87 Quadro K2200M/HM87	X	4 x M.2 Socket 2 for B Key Type 2280	4 x SATA3	1 x SATA2	SATA2	Up to 4 x M.2 SSD 64KB
WT70 2OL WT70 2OK	Quadro K4100M/HM87	3 x SATA3 (mSATA to SATA adapter)	X	X	1 x SATA3	SATA2	Up to 3 x mSATA SSD 128KB
WT60 2OK	Quadro K3100M/HM87	X	X	X	2 x SATA3		
WT60 2OJ	Quadro K2100M/HM87	3 x SATA3 (mSATA to SATA adapter)	X	X	1 x SATA3	SATA2	Up to 3 x mSATA SSD 128KB
		X	X	X	2 x SATA3		
WS60 2OJ	Quadro K2100M/HM87	X	2 x M.2 Socket 2 for B Key Type 2280	2 x SATA3	1 x SATA2	X	Up to 2 x M.2 SSD 128KB
GT70 2OL GT70 2OK	Quadro K4100M/HM87 Quadro K2000M/HM87	3 x SATA3 (mSATA to SATA adapter)	X	X	1 x SATA3	SATA2	Up to 3 x mSATA SSD 128KB
		X	X	X	2 x SATA3		
GT70 0NG GT70 0NH	Quadro K2000M/HM77 Quadro K3000M/HM77	2 x SATA3 (mSATA to SATA adapter)	X	X	1 x SATA3	SATA2	Up to 2 x mSATA SSD 128KB
		X	X	X	2 x SATA3		
GT60 2OK GT60 2OJ	Quadro K3100M/HM87 Quadro K2100M/HM87	3 x SATA3 (mSATA to SATA adapter)	X	X	1 x SATA3	SATA2	Up to 3 x mSATA SSD 128KB
		X	X	X	2 x SATA3		
GT60 0NG GT60 0NF	Quadro K2000M/HM77 Quadro K1000M/HM77	2 x SATA3 (mSATA to SATA adapter)	X	X	1 x SATA3	SATA2	Up to 2 x mSATA SSD 128KB
		X	X	X	2 x SATA3		

*[1]: For having the maximum performance of the SSD, see the suggested Stripe Size shown in the RAID 0 column to do the set up.

MSI Prestige Notebooks with - NVIDIA GeForce 900M Series Graphics And Intel HM170/CM236 Chipset

Notebook	Graphics/Chipset	M.2 SSD slot(s)	M.2 SSD Interface	2.5" SATA HDD/SSD	ODD	RAID 0 ^{*[1]}
PX60 6QD	GTX 950M/HM170	1 x M.2 Socket 3 for M Key Type 2280	1 x SATA3/NVMe PCI-e (Combo) ^{*[2]}	1 x SATA3	X	X
PE70 6QE PE60 6QE PE60 6QD PE70 6QD	GTX 960M/HM170 GTX 950M/HM170	1 x M.2 Socket 3 for M Key Type 2280	1 x SATA3/NVMe PCI-e (Combo) ^{*[2]}	1 x SATA3	SATA3	X

*[1]: For having the maximum performance of the SSD, see the suggested Stripe Size shown in the RAID 0 column to do the set up.

*[2]: A M.2 SSD combo slot supports both M.2 SATA SSD and M.2 NVMe PCI-e SSD.

MSI Prestige Notebooks with - NVIDIA GeForce 900M Series Graphics



Notebook	Graphics/Chipset	mSATA slot(s)	M.2 slot(s)	M.2 Interface	2.5" SATA HDD/SSD	ODD	RAID 0*[1]
PE70 2QE PE60 2QE PE70 2QD PE60 2QD	GTX 960M/HM87 GTX 950M/HM87	X	1 x M.2 Socket 2 for B Key Type 2280	1x SATA3	1 x SATA3	SATA2	X
PX60 2QD	GTX 950M/HM87	X	1 x M.2 Socket 2 for B Key Type 2280	1x SATA3	1 x SATA3	X	X