

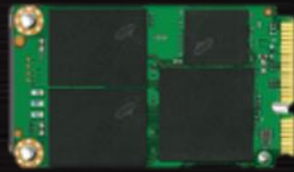
Storage Device Information

1. MSI suggests to ask our local service center for a storage device's approval list before your upgrade in order to avoid any compatibility issues.
2. For having the maximum performance of the SSD, see the suggested **Stripe Size** shown in the RAID 0 column to do the set up.
3. 2.5 inch vs. mSATA vs. M.2 SSD

RAID 0^[1]
Up to 4 x M.2 SSD
128KB



2.5" SATA



mSATA



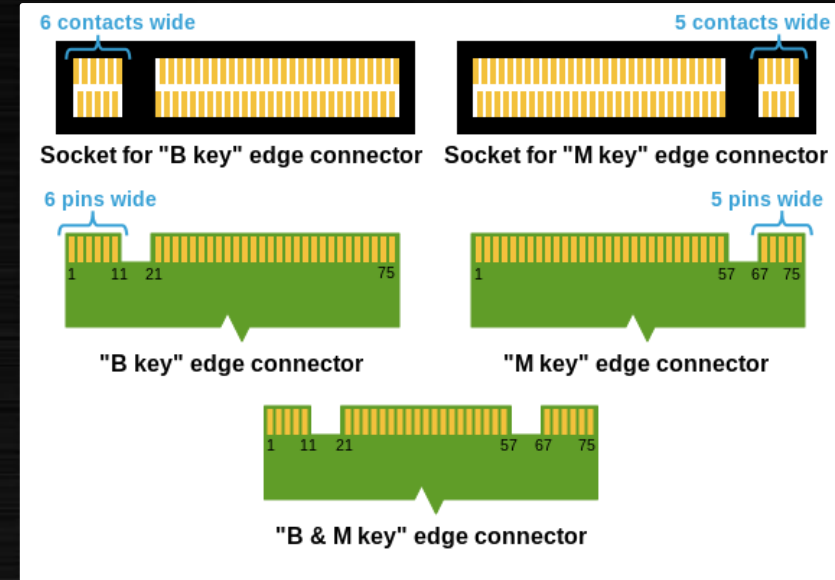
M.2 Type 2280

Which M.2 SSD Drive do I need?

1. Connector & Socket:

Make sure you have the right combination of the SSD connector and the socket on your notebook. There are three types of M.2 SSD edge connectors, B Key, M Key, and B+M Key.

- B key edge connector can use on Socket for 'B' Key (aka. Socket 2) (SATA)
 - M key edge connector can use on Socket for 'M' Key (aka. Socket 3) (PCIe x 4)
 - B+M Key edge connector can use on both sockets
- * To know the supported connector and the socket of your notebook, see the 'M.2 slot(s)' column.

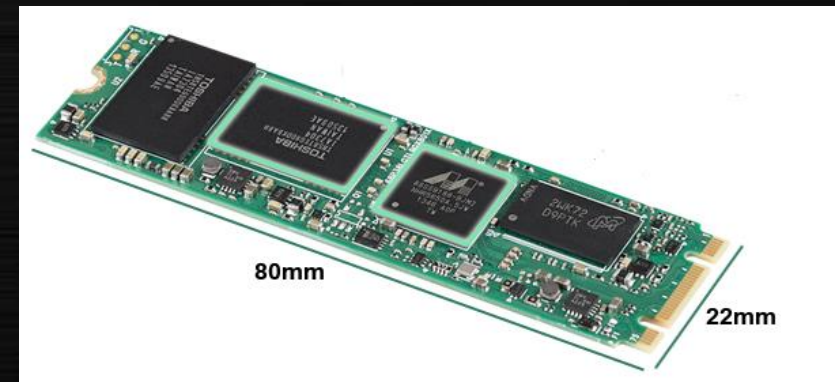


2. Physical size:

M.2 SSD allows for a variety of physical sizes, like 2242, 2260, 2280, and MSI Notebooks supports **Type 2280**.

3. Logical interface:

M.2 drives can connect through either the SATA controller or through the PCI-E bus in either x2 or x4 mode.



Catalogue



1. MSI Gaming Notebooks

- NVIDIA GeForce 10 Series Graphics And Intel HM175/CM238 Chipset
- NVIDIA GeForce 10 Series Graphics And Intel HM170/CM236 Chipset
- NVIDIA GeForce 900M Series Graphics And Intel HM175 Chipset
- NVIDIA GeForce 900M Series Graphics And Intel HM170/CM236 Chipset
- NVIDIA GeForce 900M Series Graphics And Intel HM87/HM86 Chipset
- NVIDIA GeForce 800M Series Graphics
- NVIDIA GeForce 700M Series Graphics
- Gaming Dock
- MSI Vortex
- MSI VR ONE

2. MSI Workstation Notebooks

3. MSI Prestige Notebooks

4. MSI Classic Notebooks

MSI Gaming Notebooks with -

NVIDIA GeForce 10 Series Graphics And Intel HM175/CM238 Chipset



Notebook	Graphics/Chipset	M.2 SSD Max slot(s) (Non-RAID)	M.2 SSD Interface	2.5" SATA HDD/SSD	ODD	RAID 0 ^{*[1]}
GT83VR 7RF SLI GT83VR 7RE SLI	GTX 1080 SLI/CM238 GTX 1070 SLI/CM238	2 x M.2 Socket 3 for M Key Type 2280 + 1 x M.2 Socket 2 for B Key Type 2280	2 x NVMe PCIe Gen3 x4/SATA3 (Combo) ^{*[2]} + 1 x SATA3	1 x SATA3	SATA3	Up to 2 x M.2 NVMe PCIe SSD 128KB
GT75VR 7RF GT75VR 7RE GT75VR 7RE SLI	GTX 1080/CM238 GTX 1070/CM238 GTX 1070 SLI/CM238	2 x M.2 Socket 3 for M Key Type 2280 + 1 x M.2 Socket 2 for B Key Type 2280	2 x PCI-e NVMe/SATA3 (Combo) ^{*[2]} + 1 x SATA3	1 x SATA3	X	Up to 3 x M.2 SATA SSD 64KB Up to 2 x M.2 PCI-e NVMeSSD 128KB
GT73VR 7RF GT73VR 7RE GT73VR 7RE SLI	GTX 1080/CM238 GTX 1070/CM238 GTX 1070 SLI/CM238	2 x M.2 Socket 3 for M Key Type 2280 + 1 x M.2 Socket 2 for B Key Type 2280	2 x PCI-e NVMe/SATA3 (Combo) ^{*[2]} + 1 x SATA3	1 x SATA3	X	Up to 3 x M.2 SATA SSD 64KB Up to 2 x M.2 PCI-e NVMeSSD 128KB
	GTX 1080/HM175 GTX 1070/HM175 GTX 1070 SLI/HM175	1 x M.2 Socket 3 for M Key Type 2280 + 1 x M.2 Socket 2 for B Key Type 2280	1 x PCI-e NVMe/SATA3 (Combo) ^{*[2]} + 1 x SATA3	1 x SATA3	X	Up to 2 x M.2 SATA SSD 64KB
GT73EVR 7RF GT73EVR 7RE GT73EVR 7RD	GTX 1080/HM175 GTX 1070/HM175 GTX 1060/HM175	1 x M.2 Socket 3 for M Key Type 2280 + 1 x M.2 Socket 2 for B Key Type 2280	1 x PCI-e NVMe/SATA3 (Combo) ^{*[2]} + 1 x SATA3	1 x SATA3	X	Up to 2 x M.2 SATA SSD 64KB
GT72VR 7RE GT72VR 7RD	GTX 1070/HM175 GTX 1060/HM175	1 x M.2 Socket 3 for M Key Type 2280	1 x PCI-e NVMe/SATA3 (Combo) ^{*[2]}	1 x SATA3	SATA3	X
GT62VR 7RE GT62VR 7RD	GTX 1070/HM175 GTX 1060/HM175	1 x M.2 Socket 3 for M Key Type 2280	1 x PCI-e NVMe/SATA3 (Combo) ^{*[2]}	1 x SATA3	X	X

*[1]: For having the maximum performance of the SSD, see the suggested Stripe Size shown in the RAID 0 column to do the set up.

*[2]: A M.2 SSD combo slot supports both M.2 SATA SSD and M.2 NVMe PCIe SSD.

MSI Gaming Notebooks with - NVIDIA GeForce 10 Series Graphics And Intel HM175 Chipset



Notebook	Graphics/Chipset	M.2 SSD Max slot(s) (Non-RAID)	M.2 SSD Interface	2.5" SATA HDD/SSD	ODD	RAID 0 ^{*[1]}
GS73VR 7RG GS63VR 7RG	GTX 1070/HM175 GTX 1070/HM175	1 x M.2 Socket 3 for M Key Type 2280	1 x PCI-e NVMe/SATA3 (Combo) ^{*[2]}	1 x SATA3	X	X
GS73VR 7RF GS63VR 7RF	GTX 1060/HM175 GTX 1060/HM175	1 x M.2 Socket 3 for M Key Type 2280	1 x PCI-e NVMe/SATA3 (Combo) ^{*[2]}	1 x SATA3	X	X
GS73 7RE GS63 7RE	GTX 1050 Ti/HM175 GTX 1050 Ti/HM175	1 x M.2 Socket 3 for M Key Type 2280	1 x PCI-e NVMe/SATA3 (Combo) ^{*[2]}	1 x SATA3	X	X
GS63 7RD	GTX 1050/HM175	1 x M.2 Socket 3 for M Key Type 2280	1 x PCI-e NVMe/SATA3 (Combo) ^{*[2]}	1 x SATA3	X	X
GS43VR 7RE	GTX 1060/HM175	1 x M.2 Socket 3 for M Key Type 2280	1 x PCI-e NVMe/SATA3 (Combo) ^{*[2]}	1 x SATA3	X	X

*[1]: For having the maximum performance of the SSD, see the suggested Stripe Size shown in the RAID 0 column to do the set up.

*[2]: A M.2 SSD combo slot supports both M.2 SATA SSD and M.2 NVMe PCIe SSD.

MSI Gaming Notebooks with - NVIDIA GeForce 10 Series Graphics And Intel HM175 Chipset



Notebook	Graphics/Chipset	M.2 SSD Max slot(s) (Non-RAID)	M.2 SSD Interface	2.5" SATA HDD/SSD	ODD	RAID 0 ^{*[1]}
GE73VR 7RF GE63VR 7RF GE73VR 7RE GE63VR 7RE	GTX 1070/HM175 GTX 1060/HM175	2 x M.2 Socket 3 for M Key Type 2280	1 x NVMe PCIe Gen3 x4/SATA3 (Combo) ^{*[2]} + 1 x NVMe PCIe Gen3 x2/SATA3 (Combo) ^{*[2]}	1 x SATA3	X	Up to 2 x M.2 SATA3 SSD or Up to 2 x M.2 PCI-e NVMe SSD 64KB
GE73 7RD GE63 7RD GE73 7RC GE63 7RC	GTX 1050 Ti/HM175 GTX 1050/HM175	2 x M.2 Socket 3 for M Key Type 2280	2 x NVMe PCIe Gen3 x4/SATA3 (Combo) ^{*[2]}	1 x SATA3	X	Up to 2 x M.2 SATA SSD 64KB Up to 2 x M.2 PCI-e NVMe SSD 128KB
GE72MVR 7RG GE62MVR 7RG	GTX 1070/HM175	1 x M.2 Socket 3 for B Key Type 2280	1 x NVMe PCIe Gen3 x4/SATA3 (Combo) ^{*[2]}	1 x SATA3	X	X
GE72VR 7RF GE62VR 7RF	GTX 1060/HM175	1 x M.2 Socket 3 for M Key Type 2280	1 x NVMe PCIe Gen3 x4/SATA3 (Combo) ^{*[2]}	1 x SATA3	SATA3	X
GE72 7RE GE62 7RE GE72 7RD GE62 7RD	GTX 1050 Ti/HM175 GTX 1050/HM175	1 x M.2 Socket 3 for M Key Type 2280	1 x NVMe PCIe Gen3 x4/SATA3 (Combo) ^{*[2]}	1 x SATA3	SATA2	X

*[1]: For having the maximum performance of the SSD, see the suggested Stripe Size shown in the RAID 0 column to do the set up.

*[2]: A M.2 SSD combo slot supports both M.2 SATA SSD and M.2 NVMe PCIe SSD.

MSI Gaming Notebooks with - NVIDIA GeForce 10 Series Graphics And Intel HM175 Chipset



Notebook	Graphics/Chipset	M.2 SSD Max slot(s) (Non-RAID)	M.2 SSD Interface	2.5" SATA HDD/SSD	ODD	RAID 0 ^{*[1]}
GP72VR 7RF GP72VR 7RFX GP62VR 7RF	GTX 1060/HM175	1 x M.2 Socket 3 for M Key Type 2280	1 x NVMe PCIe Gen3 x4/SATA3 (Combo) ^{*[2]}	1 x SATA3	SATA3	X
GP72 7RE GP72 7REX GP72 7RD GP72 7RDX	GTX 1050 Ti/HM175 GTX 1050 Ti/HM175 GTX 1050/HM175 GTX 1050/HM175	1 x M.2 Socket 3 for M Key Type 2280	1 x NVMe PCIe Gen3 x4/SATA3 (Combo) ^{*[2]}	1 x SATA3	SATA2	X
GP72MVR 7RFX GP62MVR 7RF GP62MVR 7RFX	GTX 1060/HM175	1 x M.2 Socket 3 for M Key Type 2280	1 x NVMe PCIe Gen3 x4/SATA3 (Combo) ^{*[2]}	1 x SATA3	X	X
GP72M 7REX GP72M 7RDX GP62M 7REX GP62M 7RD GP62M 7RDX	GTX 1050 Ti/HM175 GTX 1050/HM175 GTX 1050 Ti/HM175 GTX 1050/HM175 GTX 1050/HM175	1 x M.2 Socket 3 for M Key Type 2280	1 x NVMe PCIe Gen3 x4/SATA3 (Combo) ^{*[2]}	1 x SATA3	X	X
GP62 7RE GP62 7RD GP62 7REX GP62 7RDX	GTX 1050 Ti/HM175 GTX 1050/HM175 GTX 1050 Ti/HM175 GTX 1050/HM175	1 x M.2 Socket 3 for M Key Type 2280	1 x NVMe PCIe Gen3 x4/SATA3 (Combo) ^{*[2]}	1 x SATA3	SATA2	X

*[1]: For having the maximum performance of the SSD, see the suggested Stripe Size shown in the RAID 0 column to do the set up.

*[2]: A M.2 SSD combo slot supports both M.2 SATA SSD and M.2 NVMe PCIe SSD.

MSI Gaming Notebooks with - NVIDIA GeForce 10 Series Graphics And Intel HM175 Chipset



Notebook	Graphics/Chipset	M.2 SSD Max slot(s) (Non-RAID)	M.2 SSD Interface	2.5" SATA HDD/SSD	ODD	RAID 0 ^{*[1]}
GL72M 7RDX GL62M 7RE GL62M 7REX GL62M 7RD GL62M 7RDX	GTX 1050/HM175 GTX 1050 Ti/HM175 GTX 1050 Ti/HM175 GTX 1050/HM175 GTX 1050/HM175	1 x M.2 Socket 3 for M Key Type 2280	1 x NVMe PCIe Gen3 x4/SATA3 (Combo) ^{*[2]}	1 x SATA3	X	X
GL72 7RD GL72 7RDX GL62 7RD GL62 7RDX	GTX 1050/HM175	1 x M.2 Socket 3 for M Key Type 2280	1 x NVMe PCIe Gen3 x4/SATA3 (Combo) ^{*[2]}	1 x SATA3	SATA2	X
GL72VR 7RFX GL62VR 7RFX	GTX 1060/HM175	1 x M.2 Socket 3 for M Key Type 2280	1 x NVMe PCIe Gen3 x4/SATA3 (Combo) ^{*[2]}	1 x SATA3	SATA3	X
GF72 7RD GF72 7RE GF62 7RD GF62 7RE	GTX 1050/HM175 GTX 1050 Ti/HM175 GTX 1050/HM175 GTX 1050 Ti/HM175	1 x M.2 Socket 3 for M Key Type 2280	1 x NVMe PCIe Gen3 x4/SATA3 (Combo) ^{*[2]}	1 x SATA3	X	X
GV72 7RE GV72 7RD GV62 7RE GV62 7RD	GTX 1050 Ti/HM175 GTX 1050/HM175 GTX 1050 Ti/HM175 GTX 1050/HM175	1 x M.2 Socket 3 for M Key Type 2280	1 x NVMe PCIe Gen3 x4/SATA3 (Combo) ^{*[2]}	1 x SATA3	X	X
GL62M 7RC GV62 7RC	MX150/HM175	1 x M.2 Socket 3 for M Key Type 2280	1 x NVMe PCIe Gen3 x4/SATA (Combo) ^{*[2]}	1 x SATA2	X	X

*[1]: For having the maximum performance of the SSD, see the suggested Stripe Size shown in the RAID 0 column to do the set up.

*[2]: A M.2 SSD combo slot supports both M.2 SATA SSD and M.2 NVMe PCIe SSD.

MSI Gaming Notebooks with - NVIDIA GeForce 10 Series Graphics And Intel HM170/CM236 Chipset



Notebook	Graphics/Chipset	M.2 SSD Max slot(s) (Non-RAID)	M.2 SSD Interface	2.5" SATA HDD/SSD	ODD	RAID 0 ^{*[1]}
GT83VR 6RF SLI GT83VR 6RE SLI	GTX 1080 SLI/CM236 GTX 1070 SLI/CM236	2 x M.2 Socket 3 for M Key Type 2280 + 1 x M.2 Socket 2 for B Key Type 2280	2 x NVMe PCIe Gen3 x4/SATA3 (Combo) ^{*[2]} + 1 x SATA3	1 x SATA3	SATA3	Up to 2 x M.2 NVMe PCIe SSD 128KB
GT73VR 6RF GT73VR 6RE GT73VR 6RE SLI	GTX 1080/CM236 GTX 1070/CM236 GTX 1070 SLI/CM236	2 x M.2 Socket 3 for M Key Type 2280 + 1 x M.2 Socket 2 for B Key Type 2280	2 x PCI-e NVMe/SATA3 (Combo) ^{*[2]} + 1 x SATA3	1 x SATA3	X	Up to 3 x M.2 SATA SSD 64KB Up to 2 x M.2 PCI-e NVMe SSD 128KB
	GTX 1080/HM170 GTX 1070/HM170 GTX 1070 SLI/HM170	1 x M.2 Socket 3 for M Key Type 2280 + 1 x M.2 Socket 2 for B Key Type 2280	1 x PCI-e NVMe/SATA3 (Combo) ^{*[2]} + 1 x SATA3	1 x SATA3	X	Up to 2 x M.2 SATA SSD 64KB
GT72VR 6RE GT72VR 6RD	GTX 1070/HM170 GTX 1060/HM170	1 x M.2 Socket 3 for M Key Type 2280	1 x PCI-e NVMe/SATA3 (Combo) ^{*[2]}	1 x SATA3	SATA3	X
GT62VR 6RE GT62VR 6RD	GTX 1070/HM170 GTX 1060/HM170	1 x M.2 Socket 3 for M Key Type 2280	1 x PCI-e NVMe/SATA3 (Combo) ^{*[2]}	1 x SATA3	X	X
GS73VR 6RF GS63VR 6RF	GTX 1060/HM170	1 x M.2 Socket 3 for M Key Type 2280	1 x PCI-e NVMe/SATA3 (Combo) ^{*[2]}	1 x SATA3	X	X
GS43VR 6RE	GTX 1060/HM170	1 x M.2 Socket 3 for M Key Type 2280	1 x PCI-e NVMe/SATA3 (Combo) ^{*[2]}	1 x SATA3	X	X
GE72VR 6RF GE62VR 6RF	GTX 1060/HM170	1 x M.2 Socket 3 for M Key Type 2280	1 x PCI-e NVMe/SATA3 (Combo) ^{*[2]}	1 x SATA3	SATA2	X
GP62MVR 6RF	GTX 1060/HM170	1 x M.2 Socket 3 for M Key Type 2280	1 x PCI-e NVMe/SATA3 (Combo) ^{*[2]}	1 x SATA3	X	X
GP72VR 6RF	GTX 1060/HM170	1 x M.2 Socket 3 for M Key Type 2280	1 x PCI-e NVMe/SATA3 (Combo) ^{*[2]}	1 x SATA3	SATA2	X

*[1]: For having the maximum performance of the SSD, see the suggested Stripe Size shown in the RAID 0 column to do the set up.

*[2]: A M.2 SSD combo slot supports both M.2 SATA SSD and M.2 NVMe PCIe SSD.

MSI Gaming Notebooks with - NVIDIA GeForce 900M Series Graphics And Intel HM175 Chipset



Notebook	Graphics/Chipset	M.2 SSD Max slot(s) (Non-RAID)	M.2 SSD Interface	2.5" SATA HDD/SSD	ODD	RAID 0 ^{*[1]}
GP72 7QF GL72 7QF GL62 7QF GP62 7QF	GTX 960M/HM175	1 x M.2 Socket 3 for M Key Type 2280	1 x NVMe PCIe Gen3 x4/SATA3 (Combo) ^{*[2]}	1 x SATA3	SATA3	X

*[1]: For having the maximum performance of the SSD, see the suggested Stripe Size shown in the RAID 0 column to do the set up.

*[2]: A M.2 SSD combo slot supports both M.2 SATA SSD and M.2 NVMe PCIe SSD.

MSI Gaming Notebooks with - NVIDIA GeForce 900M Series Graphics And Intel HM170/CM236 Chipset



Notebook	Graphics/Chipset	M.2 SSD Max slot(s) (Non-RAID)	M.2 SSD Interface	2.5" SATA HDD/SSD	ODD	RAID 0 ^{*[1]}
GT80S 6QF SLI GT80S 6QE SLI GT80S 6QD SLI	GTX 980 SLI/CM236 GTX 980M SLI/CM236 GTX 970M SLI/CM236	2 x M.2 Socket 3 for M Key Type 2280 + 1 x M.2 Socket 2 for B Key Type 2280	2 x NVMe PCIe Gen3 x4/SATA3(Combo) ^{*[2]} + 1 x SATA3	1 x SATA3	SATA2	Up to 2 x M.2 NVMe PCIe SSD 128KB
GT72S 6QF GT72S 6QE GT72S 6QD	GTX 980/CM236 GTX 980M/CM236 GTX 970M/CM236	2 x M.2 Socket 2 for B Key Type 2280 + 2 x M.2 Socket 3 for M Key Type 2280	2 x SATA3 + 2 x PCI-e NVMe	1 x SATA3	SATA3	Up to 2 x M.2 SATA SSD 64KB Up to 2 x M.2 NVMe PCI-e SSD 128KB
GT72 6QE GT72 6QD	GTX 980M/HM170 GTX 970M/HM170	2 x M.2 Socket 2 for B Key Type 2280 + 1 x M.2 Socket 3 for M Key Type 2280	2 x SATA3 + 1 x PCI-e NVMe	1 x SATA3	SATA3	Up to 2 x M.2 SATA SSD 64KB
GS72 6QE GS72 6QD GS72 6QC	GTX 970M/HM170 GTX 965M/HM170 GTX 960M/HM170	1 x M.2 Socket 3 for M Key Type 2280	1 x SATA3/PCI-e NVMe (Combo) ^{*[2]}	1 x SATA3	X	X
GS70 6QE GS60 6QE GS70 6QD GS60 6QD GS70 6QC GS60 6QC	GTX 970M/HM170 GTX 965M/HM170 GTX 960M/HM170	1 x M.2 Socket 3 for M Key Type 2280	1 x SATA3/PCI-e NVMe (Combo) ^{*[2]}	1 x SATA3	X	X
GS40 6QE GS40 6QD	GTX 970M/HM170	1 x M.2 Socket 3 for M Key Type 2280	1 x SATA3/PCI-e NVMe (Combo) ^{*[2]}	1 x SATA3	X	X

*[1]: For having the maximum performance of the SSD, see the suggested Stripe Size shown in the RAID 0 column to do the set up.

*[2]: A M.2 SSD combo slot supports both M.2 SATA SSD and NVMe PCIe SSD.

MSI Gaming Notebooks with - NVIDIA GeForce 900M Series Graphics And Intel HM170 Chipset



Notebook	Graphics/Chipset	M.2 SSD Max slot(s) (Non-RAID)	M.2 SSD Interface	2.5" SATA HDD/SSD	ODD	RAID 0 ^{*[1]}
GE72 6QF GE62 6QF	GTX 970M/HM170	1 x M.2 Socket 3 for M Key Type 2280	1 x NVMe PCIe Gen3 x4/SATA3 (Combo) ^{*[2]}	1 x SATA3	SATA3	X
GE72 6QE GE62 6QE GE72 6QD GE62 6QD GE72 6QC GE62 6QC GE72 6QL GE62 6QL	GTX 965M/HM170 GTX 960M/HM170 GTX 960M/HM170 GTX 950M/HM170	1 x M.2 Socket 3 for M Key Type 2280	1 x NVMe PCIe Gen3 x4/SATA3 (Combo) ^{*[2]}	1 x SATA3	SATA2	X
GP72 6QF GP62 6QF GP72 6QE GP62 6QE	GTX 960M/HM170 GTX 950M/HM170	1 x M.2 Socket 3 for M Key Type 2280	1 x NVMe PCIe Gen3 x4/SATA3 (Combo) ^{*[2]}	1 x SATA3	SATA2	X
GL72 6QF GL62 6QF GL72 6QE GL62 6QE GL72 6QD GL62 6QD GL72 6QC GL62 6QC	GTX 960M/HM170 GTX 950M/HM170 GTX 950M/HM170 940MX/HM170	1 x M.2 Socket 3 for M Key Type 2280	1 x NVMe PCIe Gen3 x4/SATA3 (Combo) ^{*[2]}	1 x SATA3	SATA2	X

*[1]: For having the maximum performance of the SSD, see the suggested Stripe Size shown in the RAID 0 column to do the set up.

*[2]: A M.2 SSD combo slot supports both M.2 SATA SSD and NVMe PCIe SSD.

MSI Gaming Notebooks with -

NVIDIA GeForce 900M Series Graphics And Intel HM87/HM86 Chipset



Notebook	Graphics/Chipset	mSATA slot(s)	M.2 Max slot(s) (None-RAID)	M.2 Interface	2.5" SATA HDD/SSD	ODD	RAID 0 ^{*[1]}
GT80 2QE SLI GT80 2QD SLI GT80 2QC SLI	GTX 980M SLI/HM87 GTX 970M SLI/HM87 GTX 965M SLI/HM87	X	4 x M.2 Socket 2 for B Key Type 2280	4 x SATA3	1 x SATA2	SATA2	Up to 4 x M.2 SSD 128KB
GT72 2QE GT72 2QD	GTX 980M/HM87 GTX 970M/HM87	X	4 x M.2 Socket 2 for B Key Type 2280	4 x SATA3	1 x SATA2	SATA2	Up to 4 x M.2 SSD 64KB
GT70 2QD GT60 2QE GT60 2QD	GTX 980M/HM87 GTX 970M/HM87	3 x SATA3 (mSATA to SATA adapter)	X	X	2 x SATA2	SATA2	Up to 3 x mSATA SSD 128KB
GS70 2QE GS70 2QD GS70 2QC	GTX 970M/HM87 GTX 965M/HM87 GTX 960M/HM87	3 x SATA3	X	X	1 x SATA3	X	Up to 3 x mSATA SSD 128KB
GS60 2QE GS60 2QD GS60 2QC	GTX 970M/HM87 GTX 965M/HM87 GTX 960M/HM87	X	2 x M.2 Socket 2 for B Key Type 2280	2 x SATA3	1 x SATA3	X	Up to 2 x M.2 SSD 128KB
GE72 2QF GE62 2QF GE72 2QE GE62 2QE	GTX 970M/HM87 GTX 965M/HM87	X	2 x M.2 Socket 2 for B Key Type 2280 + 1 x M.2 Socket 3 for M Key Type 2280	3 x SATA3	1 x SATA3	SATA2	Up to 3 x M.2 SSD 128KB
GE72 2QD GE62 2QD	GTX 960M/HM87	X	2 x M.2 Socket 2 for B Key Type 2280 + 1 x M.2 Socket 3 for M Key Type 2280	3 x SATA3	1 x SATA3	SATA2	Up to 3 x M.2 SSD 128KB
GE72 2QC GE62 2QC GE72 2QL GE62 2QL	GTX 960M/HM87 GTX 950M/HM87	X	1 x M.2 Socket 2 for B Key Type 2280	1 x SATA3	1 x SATA3	SATA2	X

*[1]: For having the maximum performance of the SSD, see the suggested Stripe Size shown in the RAID 0 column to do the set up.

MSI Gaming Notebooks with - NVIDIA GeForce 900M Series Graphics And Intel HM87/HM86 Chipset



Notebook	Graphics/Chipset	mSATA slot(s)	M.2 Max slot(s) (None-RAID)	M.2 Interface	2.5" SATA HDD/SSD	ODD	RAID 0 ^{*[1]}
GE70 2QE GE60 2QE GE70 2QD GE60 2QD	GTX 960M/HM86 GTX 950M/HM86	1 x SATA3	X	X	1 x SATA3	SATA2	X
GP72 2QE GP62 2QE GP72 2QD GP62 2QD	GTX 950M/HM86 GTX 940M/HM86	X	1 x M.2 Socket 2 for B Key Type 2280	1 x SATA3	1 x SATA3	SATA2	X
GP70 2QF GP60 2QF GP70 2QE GP60 2QE	GTX 950M/HM87 GT 940M/HM86	1 x SATA3	X	X	1 x SATA3	SATA2	X

*[1]: For having the maximum performance of the SSD, see the suggested Stripe Size shown in the RAID 0 column to do the set up.

MSI Gaming Notebooks with - NVIDIA GeForce 800M Series Graphics



Notebook	Graphics/Chipset	mSATA slot(s)	M.2 Max slot(s) (None-RAID)	M.2 Interface	2.5" SATA HDD/SSD	ODD	RAID 0 ^{*[1]}
GT72 2PE GT72 2PC	GTX 880M/HM87 GTX 870M/HM87	X	4 x M.2 Socket 2 for B Key Type 2280	4 x SATA3	1 x SATA2	SATA2	Up to 4 x M.2 SSD 128KB
GT70 2PE GT70 2PC	GTX 880M/HM87 GTX 870M/HM87	3 x SATA3 (mSATA to SATA adapter)	X	X	1 x SATA2	SATA2	Up to 3 x mSATA SSD 128KB
GT60 2PE GT60 2PC	GTX 880M/HM87 GTX 870M/HM87	X	X	X	2 x SATA3		
GS70 2PE GS70 2PC	GTX 870M/HM87 GTX 860M/HM87	3 x SATA3	X	X	1 x SATA3	X	Up to 3 x mSATA SSD 128KB
GS60 2PE GS60 2PC	GTX 870M/HM87 GTX 860M/HM87	X	2 x M.2 Socket 2 for B Key Type 2280	2 x SATA3	1 x SATA3	X	Up to 2 x M.2 SSD 128KB
GS60 2PL GS60 2PM	GTX 850M/HM86 840M /HM86	X	1 x M.2 Socket 2 for B Key Type 2280	1 x SATA3	1 x SATA3	X	X
GE70 2PE GE60 2PF GE60 2PE	GTX 860M/HM87	2 x SATA3	X	X	1 x SATA3	SATA2	Up to 2 x mSATA SSD 128KB
GE70 2PC GE60 2PC GE60 2PG	GTX 850M/HM86	1 x SATA3	X	X	1 x SATA3	SATA2	X
GE70 2PL GE60 2PL	GTX 850M/HM86	1 x SATA3	X	X	1 x SATA3	SATA2	X
GE40 2PC	GTX 850M/HM87	2 x SATA3 (mSATA to SATA adapter)	X	X	1 x SATA2 In ODD slot	X	Up to 2 x mSATA SSD 128KB
		X	X	X	1 x SATA3	SATA2 ^{*[2]}	
GP70 2PE GP60 2PE	840M/HM86	1 x SATA3	X	X	1 x SATA3	SATA2	X

*[1]: For having the maximum performance of the SSD, see the suggested Stripe Size shown in the RAID 0 column to do the set up.

*[2]: ODD presence is optional; A multi-bay for the extra 2.5" HDD, SSD or mSATA to SATA adapter is located in ODD slot when there is no ODD.

MSI Gaming Notebooks with - NVIDIA GeForce 700M Series Graphics



Notebook	Graphics/Chipset	mSATA slot(s)	M.2 Max slot(s)	M.2 Interface	2.5" SATA HDD/SSD	ODD	RAID 0 ^{*[1]}
GT70 Dragon Edition 2 GT70 Dragon Edition 2 Extreme GT70 2OD GT70 2OC	GTX 780M/HM87 GTX 770M/HM87	3 x SATA3 (mSATA to SATA adapter)	X	X	1 x SATA2	SATA2	Up to 3 x mSATA SSD 128KB
GT60 2OD GT60 2OC	GTX 780M/HM87 GTX 770M/HM87	X	X	X	2 x SATA3		
GS70 Stealth	GTX 765M/HM87	2 x SATA3	X	X	1 x SATA3	X	Up to 2 x mSATA SSD 128KB
GE70 2OE GE60 2OE	GTX 765M/HM87	2 x SATA3	X	X	1 x SATA3	SATA2	Up to 2 x mSATA SSD 128KB
GE70 2OD GE60 2OD GE70 2OC GE60 2OC	GTX 760M/HM86 GT 750M/HM86	1 x SATA3	X	X	1 x SATA3	SATA2	X
GE40 2OC	GTX 760M/HM87	2 x SATA3 (mSATA to SATA adapter)	X	X	1 x SATA2 In ODD slot	X	Up to 2 x mSATA SSD 128KB
		X	X	X	1 x SATA3	SATA2 ^{*[2]}	
GE40 2OL	GT 750M/HM86	1 x SATA3	X	X	1 x SATA3	SATA2	X
GP70 GP60	GT 740M/HM86	X	X	X	1 x SATA3	SATA2	X

*[1]: For having the maximum performance of the SSD, see the suggested Stripe Size shown in the RAID 0 column to do the set up.

*[2]: ODD presence is optional; A multi-bay for the extra 2.5" HDD, SSD or mSATA to SATA adapter is located in ODD slot when there is no ODD.

MSI Gaming Notebooks with - Gaming Dock



Notebook	Graphics/Chipset	M.2 Max slot(s) (None-RAID)	M.2 Interface	2.5" SATA HDD/SSD	ODD	RAID 0 ^{*[1]}
GS30 2M	Intel Iris Pro Graphics 5200/ HM87	2 x M.2 Socket 2 for B Key Type 2280	2 x SATA3	X	X	Up to 2 x M.2 SSD 128KB
GS30 2M Gaming Dock	compatible PCIE x 16 (Gen3) graphics card ^{*[2]}	X	X	1 x SATA3 3.5" HDD ^{*[4]}	X	X
GS32 6QE	GTX 950M/HM87	2 x M.2 Socket 3 for M Key Type 2280	2 x SATA3/PCI-e NVMe (Combo) ^{*[3]}	X	X	Up to 2 x M.2 SATA3/PCI-e NVMe SSD 128KB
GS32 6QE Gaming Dock	compatible PCIE x 16 (Gen3) graphics card ^{*[2]}	X	X	1 x SATA3 3.5" HDD ^{*[4]}	X	X
GS40 6QD	GTX 960M/HM170	1 x M.2 Socket 3 for M Key Type 2280	2 x SATA3/PCI-e NVMe (Combo) ^{*[3]}	X	X	Up to 2 x M.2 SATA3/PCI-e NVMe SSD 128KB
GS40 6QD Gaming Dock	compatible PCIE x 16 (Gen3) graphics card ^{*[2]}	X	X	1 x SATA3 3.5" HDD ^{*[4]}	X	X

^{*[1]}: For having the maximum performance of the SSD, see the suggested Stripe Size shown in the RAID 0 column to do the set up.

^{*[2]}: MSI suggest to use our approval graphics card to avoid any possible compatibility issue.

^{*[3]}: A M.2 SSD combo slot supports both M.2 SATA SSD and M.2 NVMe PCIe SSD.

^{*[4]}: An extra 2.5 inches to 3.5 inches Bracket Mount Adapter will be needed if you're using the 2.5 inches HDD.

MSI Vortex



Notebook	Graphics/Chipset	M.2 SSD Max slot(s) (None-RAID)	M.2 SSD Interface	2.5" SATA HDD/SSD	RAID 0 ^{*[1]}
Vortex G25 8RE Vortex G25 8RD	GTX 1070/Z370 GTX 1060/Z370	2 x M.2 Socket 3 for M Key Type 2280	2 x NVMe PCIe Gen3 x4/SATA3 (Combo) ^{*[2]}	1 x SATA3	Up to 2 x M.2 NVMe PCIe SSD 128KB
VORTEX G65VR 7RE SLI VORTEX G65VR 7RF VORTEX G65VR 7RE VORTEX G65VR 7RD	GTX 1070 SLI/Z170 GTX 1080/Z170 GTX 1070/Z170 GTX 1060/Z170	2 x M.2 Socket 3 for M Key Type 2280	2 x NVMe PCIe Gen3 x4/SATA3 (Combo) ^{*[2]}	1 x SATA3	Up to 2 x M.2 NVMe PCIe SSD 128KB
VORTEX G65VR 6RE SLI VORTEX G65VR 6RF VORTEX G65VR 6RE VORTEX G65VR 6RD	GTX 1070 SLI/Z170 GTX 1080/Z170 GTX 1070/Z170 GTX 1060/Z170	2 x M.2 Socket 3 for M Key Type 2280	2 x NVMe PCIe Gen3 x4/SATA3 (Combo) ^{*[2]}	1 x SATA3	Up to 2 x M.2 NVMe PCIe SSD 128KB
Vortex G65 6QF SLI Vortex G65 6QD SLI	GTX 980 SLI/Z170 GTX 960 SLI/Z170	2 x M.2 Socket 3 for M Key Type 2280	2 x NVMe PCIe Gen3 x4/SATA3 (Combo) ^{*[2]}	1 x SATA3	Up to 2 x M.2 NVMe PCIe SSD 128KB

*[1]: For having the maximum performance of the SSD, see the suggested Stripe Size shown in the RAID 0 column to do the set up.

*[2]: A M.2 SSD combo slot supports both M.2 SATA SSD and M.2 NVMe PCIe SSD.

MSI VR ONE



Notebook	Graphics/Chipset	M.2 SSD Max slot(s) (None-RAID)	M.2 SSD Interface	RAID 0 ^{*[1]}
VR ONE 7RE VR ONE 7RD	GTX 1070/CM238 GTX 1060/CM238	2 x M.2 Socket 3 for M Key Type 2280	2 x NVMe PCIe Gen3 x4/SATA3 (Combo) ^{*[2]}	Up to 2 x M.2 NVMe PCIe SSD 128KB
	GTX 1070/HM175 GTX 1060/HM175	1 x M.2 Socket 3 for M Key Type 2280	1 x NVMe PCIe Gen3 x4/SATA3 (Combo) ^{*[2]}	X
VR ONE 6RE VR ONE 6RD	GTX 1070/CM236 GTX 1060/CM236	2 x M.2 Socket 3 for M Key Type 2280	2 x NVMe PCIe Gen3 x4/SATA3 (Combo) ^{*[2]}	Up to 2 x M.2 PCI-e NVMe SSD 128KB
	GTX 1070/HM170 GTX 1060/HM170	1 x M.2 Socket 3 for M Key Type 2280	1 x NVMe PCIe Gen3 x4/SATA3 (Combo) ^{*[2]}	X

*[1]: For having the maximum performance of the SSD, see the suggested Stripe Size shown in the RAID 0 column to do the set up.

*[2]: A M.2 SSD combo slot supports both M.2 SATA SSD and M.2 NVMe PCIe SSD.

MSI Workstation Notebooks with -

Intel HM175/CM238 Chipset



Notebook	Graphics/Chipset	M.2 SSD MAX slot(s)	M.2 SSD Interface	2.5" SATA HDD/SSD	ODD	RAID 0 ^{*[1]}
WE62 7RI	Quadro M1200/HM175	1 x M.2 Socket 3 for M Key Type 2280	1 x NVMe PCIe Gen3 x4/SATA3 (Combo) *[2]	1 x SATA3	SATA3	X
WE62 7RIX	Quadro M1200/HM175	1 x M.2 Socket 3 for M Key Type 2280	1 x NVMe PCIe Gen3 x4/SATA3 (Combo) *[2]	1 x SATA3	SATA3	X
WE62 7RJ	Quadro M2200/HM175	1 x M.2 Socket 3 for M Key Type 2280	1 x NVMe PCIe Gen3 x4/SATA3 (Combo) *[2]	1 x SATA3	SATA3	X
WE62 7RJX	Quadro M2200/HM175	1 x M.2 Socket 3 for M Key Type 2280	1 x NVMe PCIe Gen3 x4/SATA3 (Combo) *[2]	1 x SATA3	SATA3	X
WE72 7RJ	Quadro M2200/HM175	1 x M.2 Socket 3 for M Key Type 2280	1 x NVMe PCIe Gen3 x4/SATA3 (Combo) *[2]	1 x SATA3	SATA3	X
WE72 7RJX	Quadro M2200/HM175	1 x M.2 Socket 3 for M Key Type 2280	1 x NVMe PCIe Gen3 x4/SATA3 (Combo) *[2]	1 x SATA3	SATA3	X

*[1]: For having the maximum performance of the SSD, see the suggested Stripe Size shown in the RAID 0 column to do the set up.

*[2]: A M.2 SSD combo slot supports both M.2 SATA SSD and M.2 NVMe PCIe SSD.

MSI Workstation Notebooks with -

Intel HM170/HM175/CM238 Chipset



Notebook	Graphics/Chipset	M.2 SSD MAX slot(s)	M.2 SSD Interface	2.5" SATA HDD/SSD	ODD	RAID 0* ^[1]
WS60 7RJ	Quadro M2200/CM238	2 x M.2 Socket 3 for M Key Type 2280	2 x NVMe PCIe Gen3 x4/SATA3 (Combo) * ^[2]	1 x SATA3	X	2 x M.2 SATA3 SSD (RAID 0) 128KB or 2 x M.2 NVMe PCI-e SSD in Raid 0 128KB
WS63 7RK	Quadro P3000/HM175	1 x M.2 Socket 3 for M Key Type 2280	1 x NVMe PCIe Gen3 x4/SATA3 (Combo) * ^[2]	1 x SATA3	X	X
WS63 7RL	Quadro P4000/HM175	1 x M.2 Socket 3 for M Key Type 2280	1 x NVMe PCIe Gen3 x4/SATA3 (Combo) * ^[2]	1 x SATA3	X	X
WS72 6QH	Quadro M600M/HM170	1 x M.2 Socket 3 for M Key Type 2280	1 x NVMe PCIe Gen3 x4/SATA3 (Combo) * ^[2]	1 x SATA3	X	X
WS72 6QI	Quadro M1000M/HM170	1 x M.2 Socket 3 for M Key Type 2280	1 x NVMe PCIe Gen3 x4/SATA3 (Combo) * ^[2]	1 x SATA3	X	X
WS72 6QJ	Quadro M2000M/CM236	2 x M.2 Socket 3 for M Key Type 2280	2 x NVMe PCIe Gen3 x4/SATA3 (Combo) * ^[2]	1 x SATA3	X	2 x M.2 SATA3 SSD (RAID 0) 128KB or 2 x M.2 NVMe PCI-e SSD in Raid 0 128KB
WT73VR 7RM	Quadro P5000/CM238	2 x M.2 Socket 3 for M Key Type 2280 + 1 x M.2 Socket 2 for B Key Type 2280	2 x NVMe PCIe Gen3 x4/SATA3 (Combo) * ^[2] + 1 x SATA3	1 x SATA3	X	Up to 3 x M.2 SATA SSD 64KB or Up to 2 x M.2 PCI-e NVMe SSD 128KB

*[1]: For having the maximum performance of the SSD, see the suggested Stripe Size shown in the RAID 0 column to do the set up.

*[2]: A M.2 SSD combo slot supports both M.2 SATA SSD and M.2 NVMe PCIe SSD.

MSI Workstation Notebooks with -

Intel HM170/CM236 Chipset



Notebook	Graphics/Chipset	M.2 SSD MAX slot(s)	M.2 SSD Interface	2.5" SATA HDD/SSD	ODD	RAID 0 ^{*[1]}
WT72 6QJ vPro	Quadro M2000M/CM236	2 x M.2 Socket 3 for M Key Type 2280	2 x NVMe PCIe Gen3 x4/SATA3 (Combo) ^{*[2]}	2 x SATA3	SATA3	2 x M.2 SATA3 SSD (RAID 0) 128KB or 2 x M.2 NVMe PCI-e SSD in Raid 0 128KB
WT72 6QK vPro	Quadro M3000M/CM236	2 x M.2 Socket 3 for M Key Type 2280	2 x NVMe PCIe Gen3 x4/SATA3 (Combo) ^{*[2]}	2 x SATA3	SATA3	2 x M.2 SATA3 SSD (RAID 0) 128KB or 2 x M.2 NVMe PCI-e SSD in Raid 0 128KB
WT72 6QN	Quadro M5500M/CM236	2 x M.2 Socket 3 for M Key Type 2280	2 x NVMe PCIe Gen3 x4/SATA3 (Combo) ^{*[2]}	1 x SATA3	SATA3	2 x M.2 SATA3 SSD (RAID 0) 128KB or 2 x M.2 NVMe PCI-e SSD in Raid 0 128KB

*[1]: For having the maximum performance of the SSD, see the suggested Stripe Size shown in the RAID 0 column to do the set up.

*[2]: A M.2 SSD combo slot supports both M.2 SATA SSD and M.2 NVMe PCIe SSD.

MSI Workstation Notebooks with -

Intel HM170/CM236 Chipset



Notebook	Graphics/Chipset	M.2 SSD MAX slot(s)	M.2 SSD Interface	2.5" SATA HDD/SSD	ODD	RAID 0 ^{*[1]}
WS60 6QH	Quadro M600M/HM170	1 x M.2 Socket 3 for M Key Type 2280	1x NVMe PCIe Gen3 x4/SATA3 (Combo) ^{*[3]}	1 x SATA3	X	X
WS60 6QI	Quadro M1000M/HM170	1 x M.2 Socket 3 for M Key Type 2280	1x NVMe PCIe Gen3 x4/SATA3 (Combo) ^{*[3]}	1 x SATA3	X	X
WS60 6QJ	Quadro M2000M/CM236	2 x M.2 Socket 3 for M Key Type 2280	2x NVMe PCIe Gen3 x4/SATA3 (Combo) ^{*[3]}	1 x SATA3	X	2 x M.2 NVMe PCI-e SSD in Raid 0 128KB
WT72 6QI	Quadro M1000M/HM170	1 x M.2 Socket 3 for M Key Type 2280	1 x NVMe PCIe Gen3 x4	1 x SATA3	SATA3	X
		4 x M.2 SATA SSD for B Key Type 2280	4 x SATA3			4 x M.2 SATA SSD in Raid 0/5 128KB
WT72 6QJ	Quadro M2000M/CM236	2 x M.2 Socket 3 for M Key Type 2280	2 x NVMe PCIe Gen3 x4	1 x SATA3	SATA3	2 x M.2 NVMe PCI-e SSD in Raid 0 128KB
		4 x M.2 SATA SSD for B Key Type 2280	4 x SATA3			4 x M.2 SATA SSD in Raid 0/5 128KB
WT72 6QK	Quadro M3000M/CM236	2 x M.2 Socket 3 for M Key Type 2280	2 x NVMe PCIe Gen3 x4	1 x SATA3	SATA3	2 x M.2 NVMe PCI-e SSD in Raid 0 128KB
		4 x M.2 SATA SSD for B Key Type 2280	4 x SATA3			4 x M.2 SATA SSD in Raid 0/5 128KB
WT72 6QL	Quadro M4000M/CM236	2 x M.2 Socket 3 for M Key Type 2280	2 x NVMe PCIe Gen3 x4	1 x SATA3	SATA3	2 x M.2 NVMe PCI-e SSD in Raid 0 128KB
		4 x M.2 SATA SSD for B Key Type 2280	4 x SATA3			4 x M.2 SATA SSD in Raid 0/5 128KB
WT72 6QM	Quadro M5000M/CM236	2 x M.2 Socket 3 for M Key Type 2280	2 x NVMe PCIe Gen3 x4	1 x SATA3	SATA3	2 x M.2 NVMe PCI-e SSD in Raid 0 128KB
		4 x M.2 SATA SSD for B Key Type 2280	4 x SATA3			4 x M.2 SATA SSD in Raid 0/5 128KB

*[1]: For having the maximum performance of the SSD, see the suggested Stripe Size shown in the RAID 0 column to do the set up.

*[2]: Notebook with Intel CM236 chipset support 4 x M.2 SATA SSD when using the designated daughter board.

*[3]: A M.2 SSD combo slot supports both M.2 SATA SSD and M.2 NVMe PCIe SSD.

MSI Workstation Notebooks with –

Intel HM77/HM87 Chipset



Notebook	Graphics/Chipset	mSATA slot(s)	M.2 slot(s)	M.2 Interface	2.5" SATA HDD/SSD	ODD	RAID 0 ^{*[1]}
WT72 2OL WT72 2OK WT72 2OM	Quadro K4100M/HM87 Quadro K3100M/HM87 Quadro K2200M/HM87	X	4 x M.2 Socket 2 for B Key Type 2280	4 x SATA3	1 x SATA3	SATA2	Up to 4 x M.2 SSD 64KB
WT70 2OL WT70 2OK	Quadro K4100M/HM87	3 x SATA3 (mSATA to SATA adapter)	X	X	1 x SATA3	SATA2	Up to 3 x mSATA SSD 128KB
WT60 2OK	Quadro K3100M/HM87	X	X	X	2 x SATA3		
WT60 2OJ	Quadro K2100M/HM87	3 x SATA3 (mSATA to SATA adapter)	X	X	1 x SATA3	SATA2	Up to 3 x mSATA SSD 128KB
		X	X	X	2 x SATA3		
WS60 2OJ	Quadro K2100M/HM87	X	2 x M.2 Socket 2 for B Key Type 2280	2 x SATA3	1 x SATA3	X	Up to 2 x M.2 SSD 128KB
GT70 2OL GT70 2OK	Quadro K4100M/HM87 Quadro K2000M/HM87	3 x SATA3 (mSATA to SATA adapter)	X	X	1 x SATA3	SATA2	Up to 3 x mSATA SSD 128KB
		X	X	X	2 x SATA3		
GT70 0NG GT70 0NH	Quadro K2000M/HM77 Quadro K3000M/HM77	2 x SATA3 (mSATA to SATA adapter)	X	X	1 x SATA3	SATA2	Up to 2 x mSATA SSD 128KB
		X	X	X	2 x SATA3		
GT60 2OK GT60 2OJ	Quadro K3100M/HM87 Quadro K2100M/HM87	3 x SATA3 (mSATA to SATA adapter)	X	X	1 x SATA3	SATA2	Up to 3 x mSATA SSD 128KB
		X	X	X	2 x SATA3		
GT60 0NG GT60 0NF	Quadro K2000M/HM77 Quadro K1000M/HM77	2 x SATA3 (mSATA to SATA adapter)	X	X	1 x SATA3	SATA2	Up to 2 x mSATA SSD 128KB
		X	X	X	2 x SATA3		

*[1]: For having the maximum performance of the SSD, see the suggested Stripe Size shown in the RAID 0 column to do the set up.

MSI Prestige Notebooks



Notebook	Graphics/Chipset	M.2 SSD slot(s)	M.2 SSD Interface	2.5" SATA HDD/SSD	ODD	RAID 0 ^{*[1]}
PE72 7RD PE62 7RD	GTX 1050/HM175	1 x M.2 Socket 3 for M Key Type 2280	1 x NVMe PCIe Gen3 x4/SATA3 (Combo) ^{*[2]}	1 x SATA3	X	X
PE70 7RD PE60 7RD	GTX 1050/HM175	1 x M.2 Socket 3 for B&M Key Type 2280	1 x NVMe PCIe Gen3 x4/SATA3 (Combo) ^{*[2]}	1 x SATA3	SATA2	X
PE70 6QE PE70 6QD PE60 6QE PE60 6QD	GTX 960M/HM170 GTX 950M/HM170 GTX 960M/HM170 GTX 950M/HM170	1 x M.2 Socket 3 for M Key Type 2280	1 x NVMe PCIe Gen3 x4/SATA3 (Combo) ^{*[2]}	1 x SATA3	SATA3	X
PE70 2QE PE60 2QE PE70 2QD PE60 2QD	GTX 960M/HM87 GTX 960M/HM87 GTX 950M/HM87 GTX 950M/HM87	1 x M.2 Socket 2 for B Key Type 2280	1 x SATA3	1x SATA3	SATA3	X
PL62 7RD PL60 7RD	GTX 1050/PCH-LP ^{*[3]}	1 x M.2 Socket 3 for M Key Type 2280 (Optional) ^{*[4]}	1 x SATA3	1 x SATA2	X	X
PL62 7RC	MX150/HM175	1 x M.2 Socket 3 for M Key Type 2280	1 x NVMe PCIe Gen3 x4/SATA (Combo) ^{*[2]}	1 x SATA2	X	X
PX60 6QE PX60 6QD	GTX 950M/HM170	1 x M.2 Socket 3 for M Key Type 2280	1 x NVMe PCIe Gen3 x4/SATA3 (Combo) ^{*[2]}	1 x SATA3	X	X
PX60 2QD	GTX 950M/HM87	1 x M.2 Socket 2 for B Key Type 2280	1 x SATA3	1x SATA3	SATA3	X

*[1]: For having the maximum performance of the SSD, see the suggested Stripe Size shown in the RAID 0 column to do the set up.

*[2]: A M.2 SSD combo slot supports both M.2 SATA SSD and M.2 NVMe PCIe SSD.

*[3]: 7th Gen. Intel® Mobile U-Processor with PCH-LP Chipset

*[4]: For PL62 7RD/PL60 7RD which is bundled with Intel i3 or above CPU only.

MSI Classic Notebooks

Notebook	Graphics/Chipset	M.2 slot(s)	M.2 SSD Interface	2.5" SATA HDD/SSD	ODD	RAID 0 ^{*[1]}
CX72 7QL CX62 7QL CX72 6QL CX62 6QL	940MX	1 x M.2 Socket 3 for M Key Type 2280 (Optional) ^{*[2]}	1 x SATA3	1 x SATA3	SATA2	X
CX72 6QD CX62 6QD	940MX	1 x M.2 Socket 3 for M Key Type 2280	1 x SATA3/NVMe PCI-e (Combo) ^{*[3]}	1 x SATA3	SATA2	X
CR72 7ML CR62 7ML CR62 6ML CR72 6ML	UMA	1 x M.2 Socket 3 for M Key Type 2280 (Optional) ^{*[2]}	1 x SATA3	1 x SATA3	SATA2	X
CR72 6M CR62 6M	UMA	1 x M.2 Socket 3 for M Key Type 2280	1 x SATA3/NVMe PCI-e (Combo) ^{*[3]}	1 x SATA3	SATA2	X
CR43 6M	UMA	1 x M.2 Socket 2 for B Key Type 2280 (Optional) ^{*[2]}	1 x SATA3	1 x SATA3	SATA2	X

*[1]: For having the maximum performance of the SSD, see the suggested Stripe Size shown in the RAID 0 column to do the set up.

*[2]: For CR43 6M//CX72 7QL/CX62 7QL/CR72 7ML/CR62 7ML/CX62 6QL/CR62 6ML which is bundled with Intel i3 or above CPU only.

*[3]: A M.2 SSD combo slot supports both M.2 SATA SSD and M.2 NVMe PCIe SSD.